



## Important Notice to our Customers

**Product Change Notice #: VI20210202**

**Date: February 4, 2021**

**To Our Valued Customer:**

This is to inform you of specification change to Vicor NBM2317S60E1560T0R.

**PCN Type:**

Package Outline Drawing Improvement

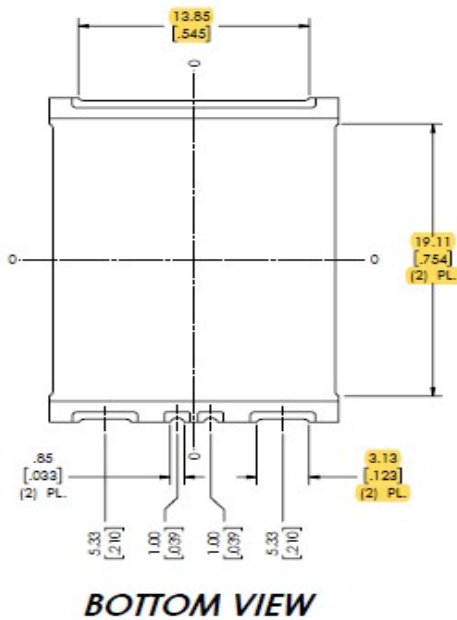
**Products Affected (current active model):**

NBM2317S60E1560T0R

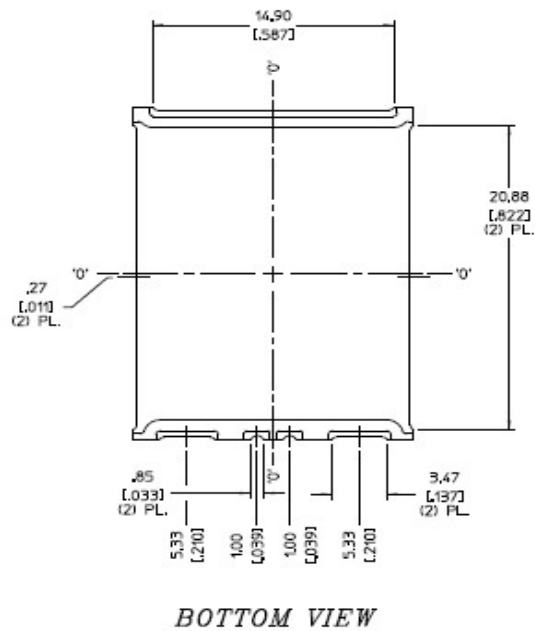
**Proposed Change:**

This notice is to make you aware of a change to the NBM2317S60E1560T0R package outline drawing.

**New Package Dimensions**



**Present Package Dimensions**



**Reason for the change:**

This change is to improve panel level handling in the Vicor factory.

**Effective Date:**

Immediately

**Actions Required:**

Customers should note that this change will have **no** impact on form, fit, function including product electrical performance and soldering guidelines.

**Company contact for technical questions:**

Applications Engineering Vicor Corporation  
25 Frontage Road  
Andover, MA  
Phone: (978) 470-2900  
[apps@vicorpower.com](mailto:apps@vicorpower.com)