

# QPO-2-EVAL1

## QPO™ Active Output Filter Evaluation Board



The QPO-2-EVAL1 board provides an easy-to-use evaluation platform for testing the QPO-2 in a low-voltage system. A filtered voltage range of 0.3 – 5.5V<sub>DC</sub> at output load currents up to 20A can be accomplished. A low current bias supply is required at the VAUX input in the range of 7 – 12V respectively to the output voltage range. The board comes with a QPO-2LZ and some essential external components pre-mounted. Please refer to the QPO-2 data sheet for product details. Terminals for horizontal or vertical mounting are also provided. The user must mount and select component values for RHR, RSC, RSL and RSA based on their system needs.

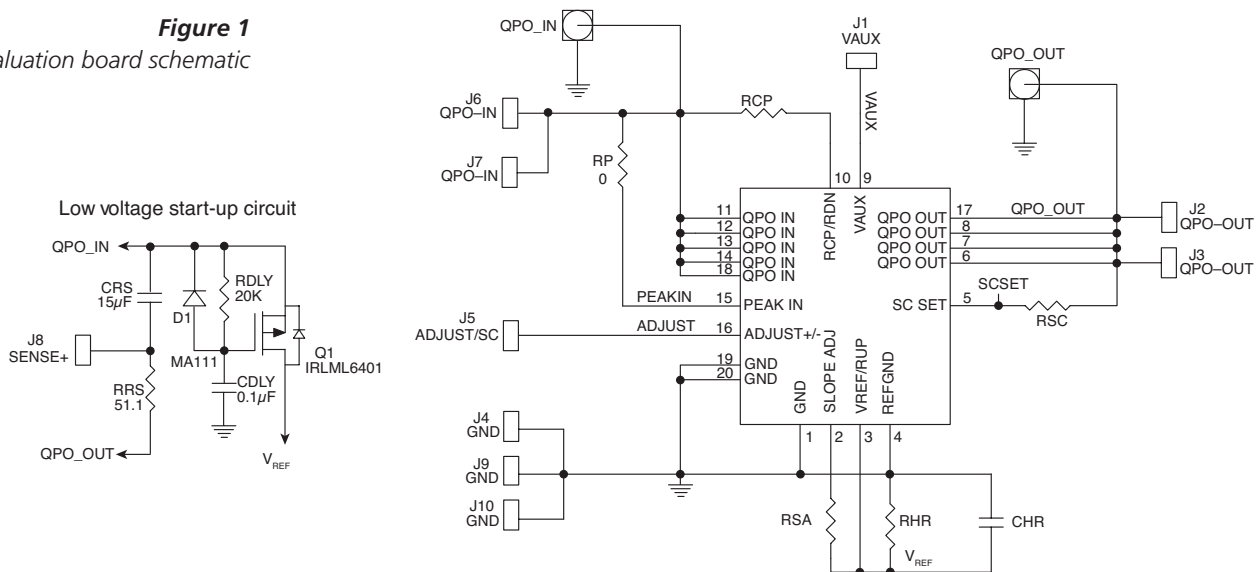
RCP will preset the QPO-2's reference voltage to a value close to the desired steady-state value. This reduces the time required for the QPO-2's output to reach the steady-state output voltage. There is a provision for a start-up circuit (Q1 RDLY D1 CDLY) if the initial headroom voltage needs to start from zero and increase gradually to the set headroom voltage. Remote sense components (CRS RRS) shown in Figure 3 of the product data sheet are mounted on the evaluation board.

When remote sensing is not used, RSC is the current-programming resistor that determines the current sourced by the QPO-2's ADJUST+ pin to drive the TRIM pin of a converter. The RSL resistor shown in Figure 4 of the product data sheet (not on the evaluation board) can be used to limit the correction current sourced from the ADJUST+ circuit if needed during start up preventing the converter from tripping OVP.

RHR is the headroom voltage-setting resistor that will determine the voltage dropped across the QPO-2. The RSA resistor is for the slope adjust option, which can be used to reduce the amount of voltage across the QPO-2 depending on load current. This reduced drop in voltage will result in a lower power loss across the QPO-2 providing greater efficiency but lower attenuation. An optional capacitor, CHR, can be added to extend the low-frequency attenuation range of the QPO-2.

The RP resistor connects the QPO-2's peak detection circuit to the input voltage rail. The peak detector will adapt the headroom voltage by adding half the peak-to-peak ripple voltage to the headroom. Internally, the QPO-2 has a 0.1µF capacitor on its peak detector pin that allows the user to filter out the converter's ripple with an appropriate RP resistor value, disabling the peak detector. This filtering is enabled by using a low-resistance value for RP, such as a 0Ω that comes pre-installed on the QPO-2 Eval board.

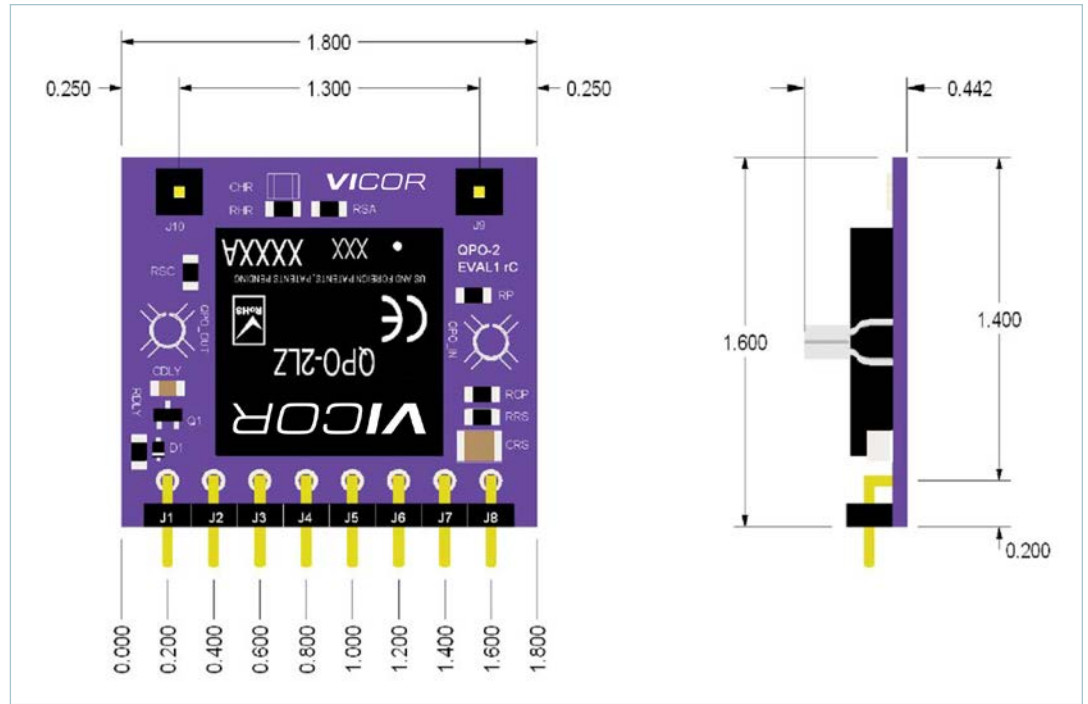
**Figure 1**  
Evaluation board schematic



**Figure 2**

Evaluation board layout

Note: Components Q1, D1, RDLY and CDLY are for an optional start-up circuit



## Ordering Information

Part Number	Description
QPO-2-EVAL1	Evaluation board for QPO-2LZ

---

## Limitation of Warranties

Information in this document is believed to be accurate and reliable. HOWEVER, THIS INFORMATION IS PROVIDED "AS IS" AND WITHOUT ANY WARRANTIES, EXPRESSED OR IMPLIED, AS TO THE ACCURACY OR COMPLETENESS OF SUCH INFORMATION. VICOR SHALL HAVE NO LIABILITY FOR THE CONSEQUENCES OF USE OF SUCH INFORMATION. IN NO EVENT SHALL VICOR BE LIABLE FOR ANY INDIRECT, INCIDENTAL, PUNITIVE, SPECIAL OR CONSEQUENTIAL DAMAGES (INCLUDING, WITHOUT LIMITATION, LOST PROFITS OR SAVINGS, BUSINESS INTERRUPTION, COSTS RELATED TO THE REMOVAL OR REPLACEMENT OF ANY PRODUCTS OR REWORK CHARGES).

Vicor reserves the right to make changes to information published in this document, at any time and without notice. You should verify that this document and information is current. This document supersedes and replaces all prior versions of this publication.

All guidance and content herein are for illustrative purposes only. Vicor makes no representation or warranty that the products and/or services described herein will be suitable for the specified use without further testing or modification. You are responsible for the design and operation of your applications and products using Vicor products, and Vicor accepts no liability for any assistance with applications or customer product design. It is your sole responsibility to determine whether the Vicor product is suitable and fit for your applications and products, and to implement adequate design, testing and operating safeguards for your planned application(s) and use(s).

VICOR PRODUCTS ARE NOT DESIGNED, AUTHORIZED OR WARRANTED FOR USE IN LIFE SUPPORT, LIFE-CRITICAL OR SAFETY-CRITICAL SYSTEMS OR EQUIPMENT. VICOR PRODUCTS ARE NOT CERTIFIED TO MEET ISO 13485 FOR USE IN MEDICAL EQUIPMENT NOR ISO/TS16949 FOR USE IN AUTOMOTIVE APPLICATIONS OR OTHER SIMILAR MEDICAL AND AUTOMOTIVE STANDARDS. VICOR DISCLAIMS ANY AND ALL LIABILITY FOR INCLUSION AND/OR USE OF VICOR PRODUCTS IN SUCH EQUIPMENT OR APPLICATIONS AND THEREFORE SUCH INCLUSION AND/OR USE IS AT YOUR OWN RISK.

## Terms of Sale

The purchase and sale of Vicor products is subject to the Vicor Corporation Terms and Conditions of Sale which are available at: (<http://www.vicorpower.com/termsconditionswarranty>)

## Export Control

This document as well as the item(s) described herein may be subject to export control regulations. Export may require a prior authorization from U.S. export authorities.

Contact Us: <http://www.vicorpower.com/contact-us>

**Vicor Corporation**  
25 Frontage Road  
Andover, MA, USA 01810  
Tel: 800-735-6200  
Fax: 978-475-6715  
[www.vicorpower.com](http://www.vicorpower.com)

### email

Customer Service: [custserv@vicorpower.com](mailto:custserv@vicorpower.com)  
Technical Support: [apps@vicorpower.com](mailto:apps@vicorpower.com)